

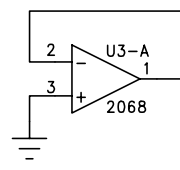
REVISION RECORD		
REV	REVISIONS DONE OR ECO NUMBER:	DATE:
A	PRODUCTION RELEASE	8-13-99

COMPANY: **SYMETRIX INC.**
 14926 35th Avenue West
 Lynnwood, WA 98037-2303 USA

TITLE: **527E Voice Processor** REV: **A**

DRAWN: **ba** DATED: **4-14-99**
 RELEASED: DATED:

DRAWING NO: SHEET: 1 OF 9



6

5

4

3

2

1

SEE SHEET 1 FOR REVISIONS

D

D

C

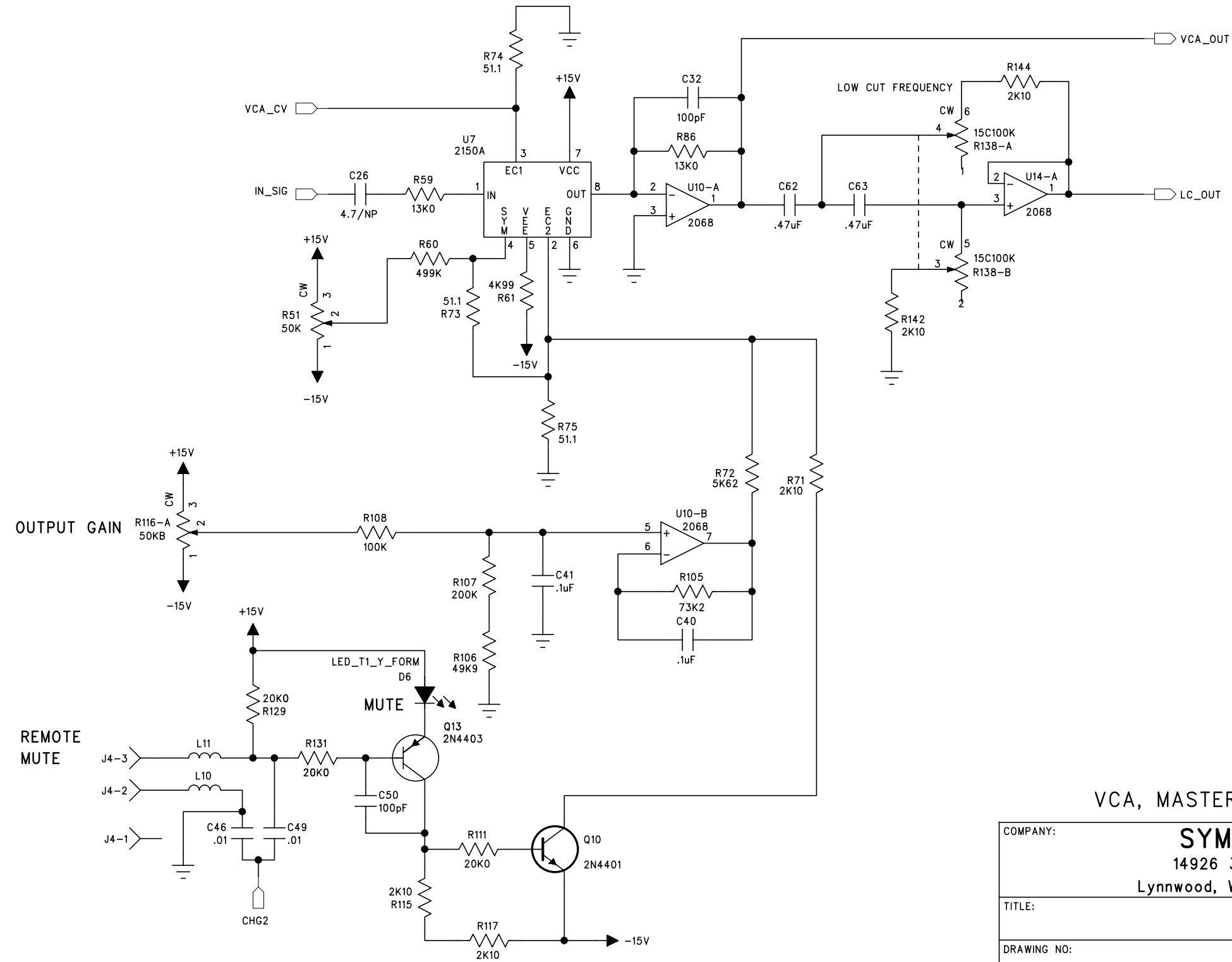
C

B

B

A

A



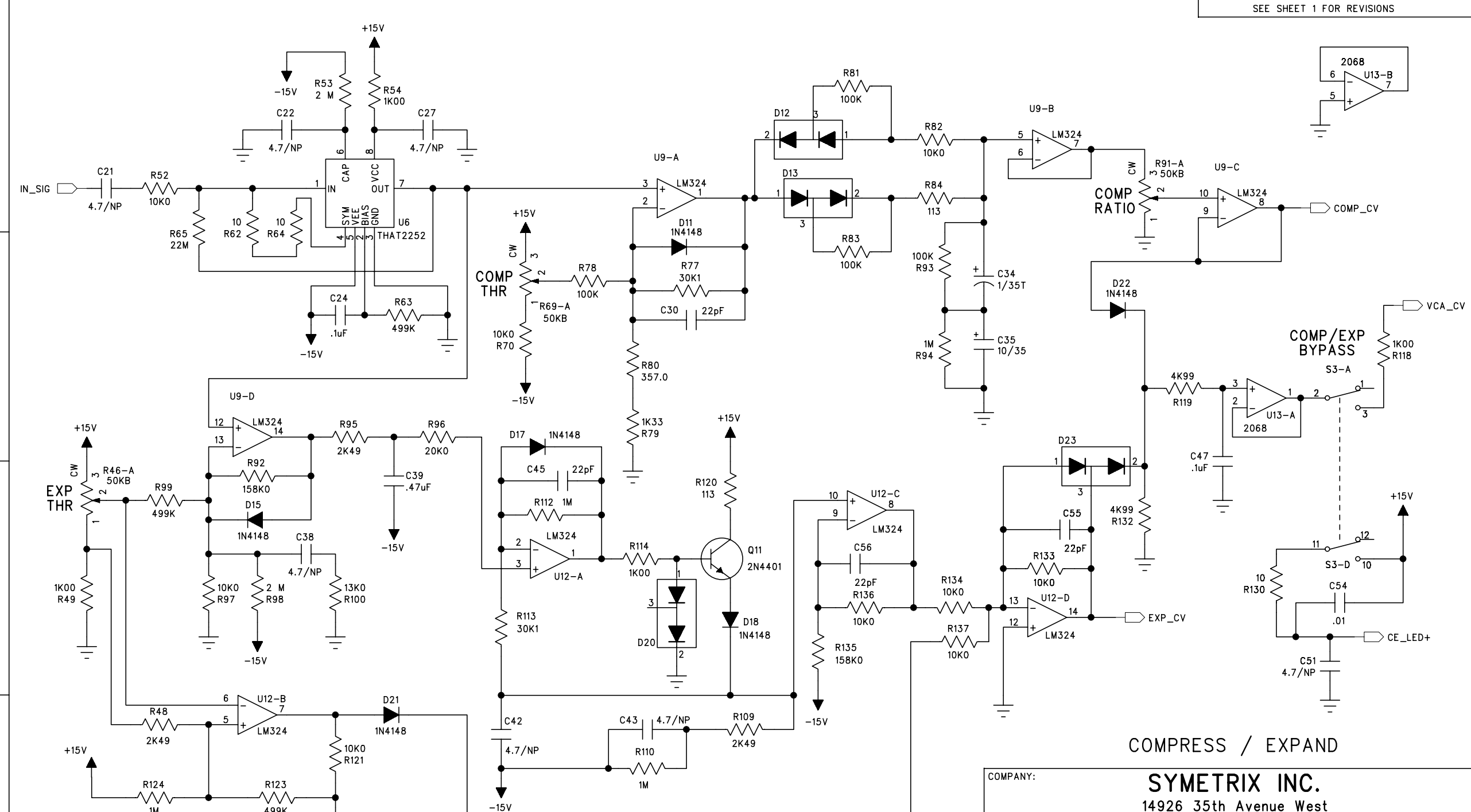
VCA, MASTER VOLUME, LOW CUT

COMPANY: **SYMETRIX INC.**
 14926 35th Avenue West
 Lynnwood, WA 98037-2303 USA

TITLE: _____ REV: **A**

DRAWING NO: _____ SHEET: 2 OF 9

SEE SHEET 1 FOR REVISIONS



COMPANY: **SYMETRIX INC.**
 14926 35th Avenue West
 Lynnwood, WA 98037-2303 USA

TITLE: _____ REV: **A**

DRAWING NO: _____ SHEET: **3 OF 9**

D
C
B
A

D
C
B
A

6

5

4

3

2

1

SEE SHEET 1 FOR REVISIONS

D

D

C

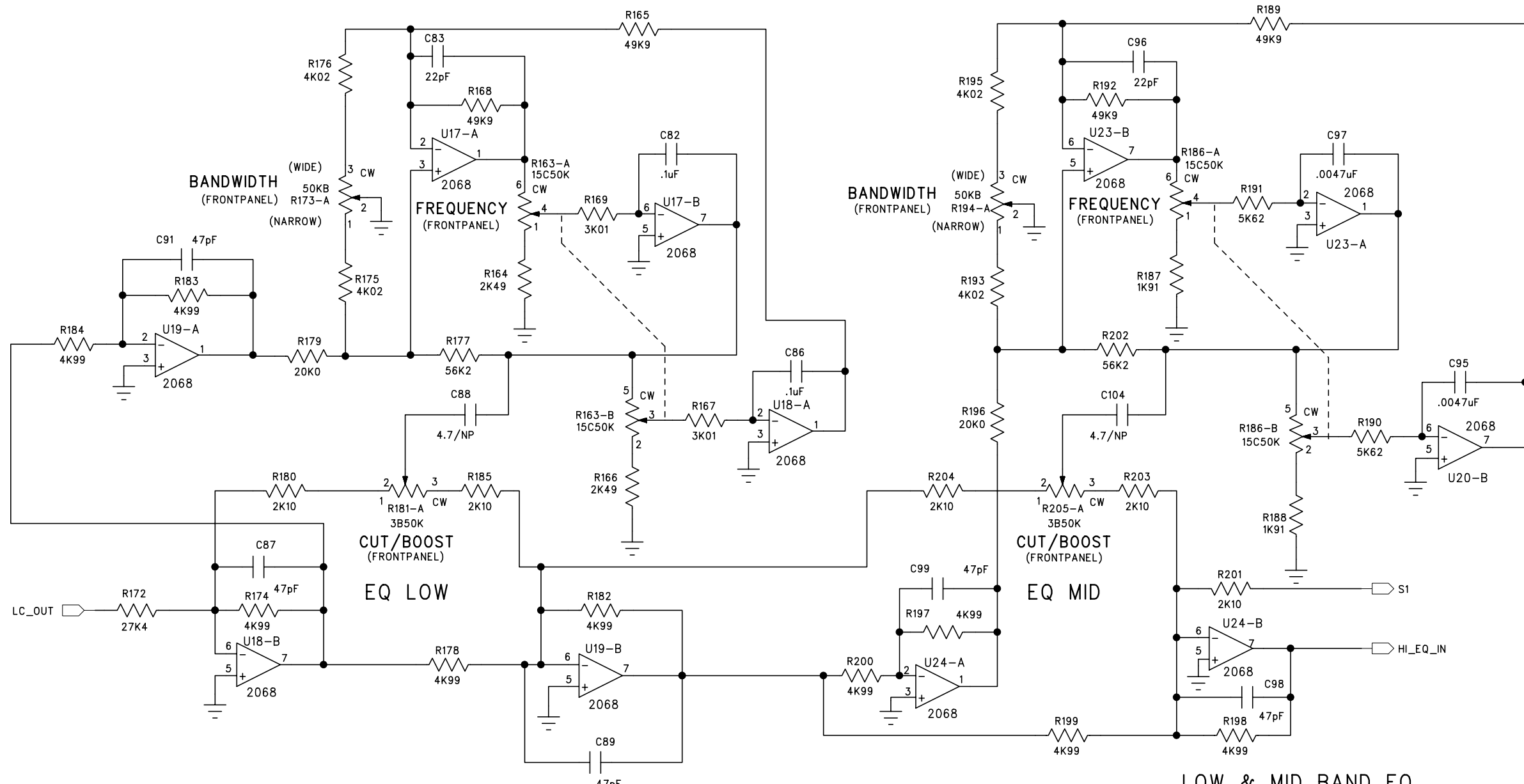
C

B

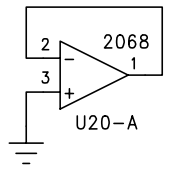
B

A

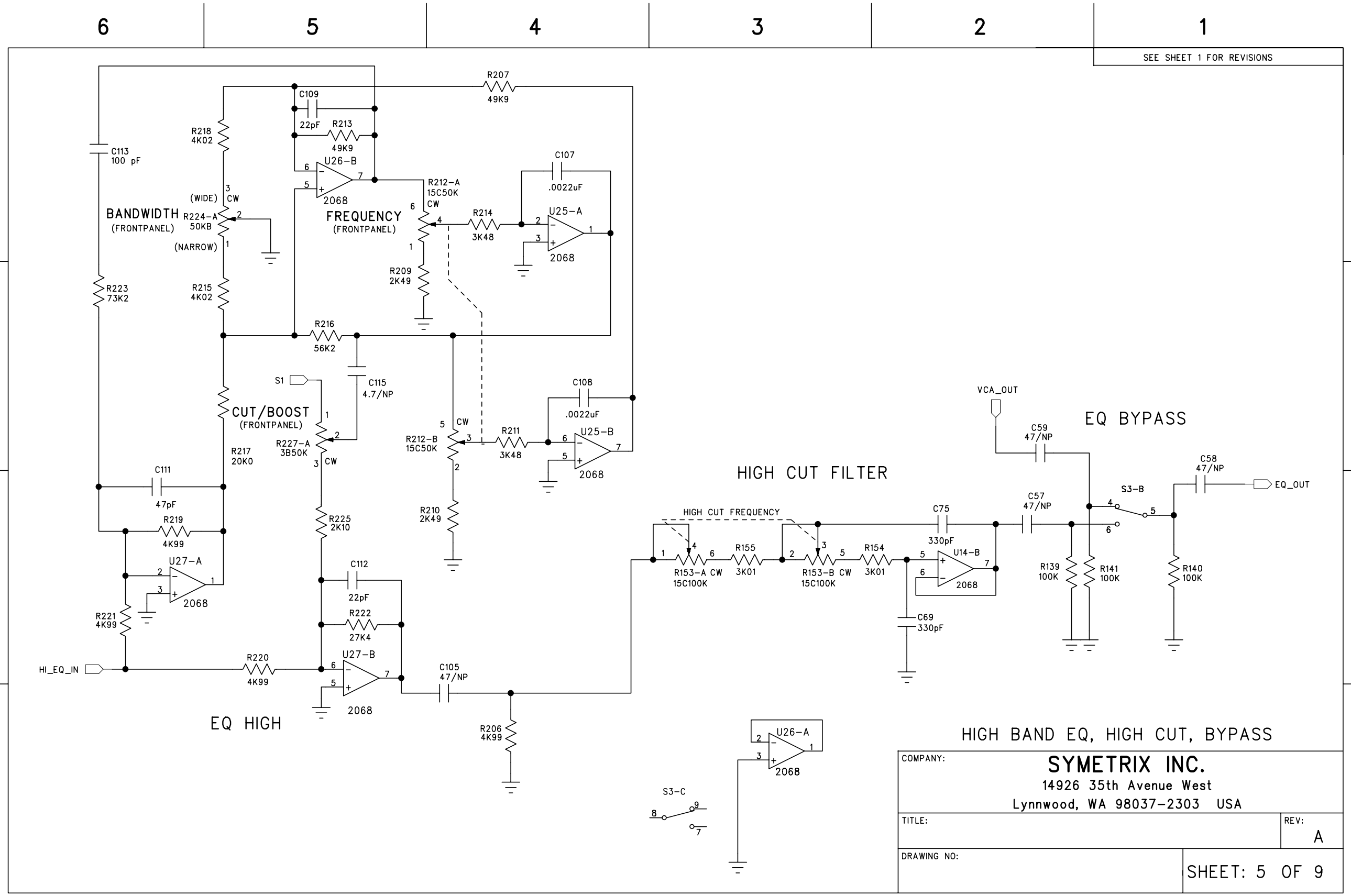
A



LOW & MID BAND EQ



COMPANY:		SYMETRIX INC.	
		14926 35th Avenue West Lynnwood, WA 98037-2303 USA	
TITLE:		REV: A	
DRAWING NO:		SHEET: 4 OF 9	



HIGH BAND EQ, HIGH CUT, BYPASS

COMPANY:		SYMETRIX INC.	
		14926 35th Avenue West Lynnwood, WA 98037-2303 USA	
TITLE:		REV: A	
DRAWING NO:		SHEET: 5 OF 9	

6

5

4

3

2

1

SEE SHEET 1 FOR REVISIONS

D

D

C

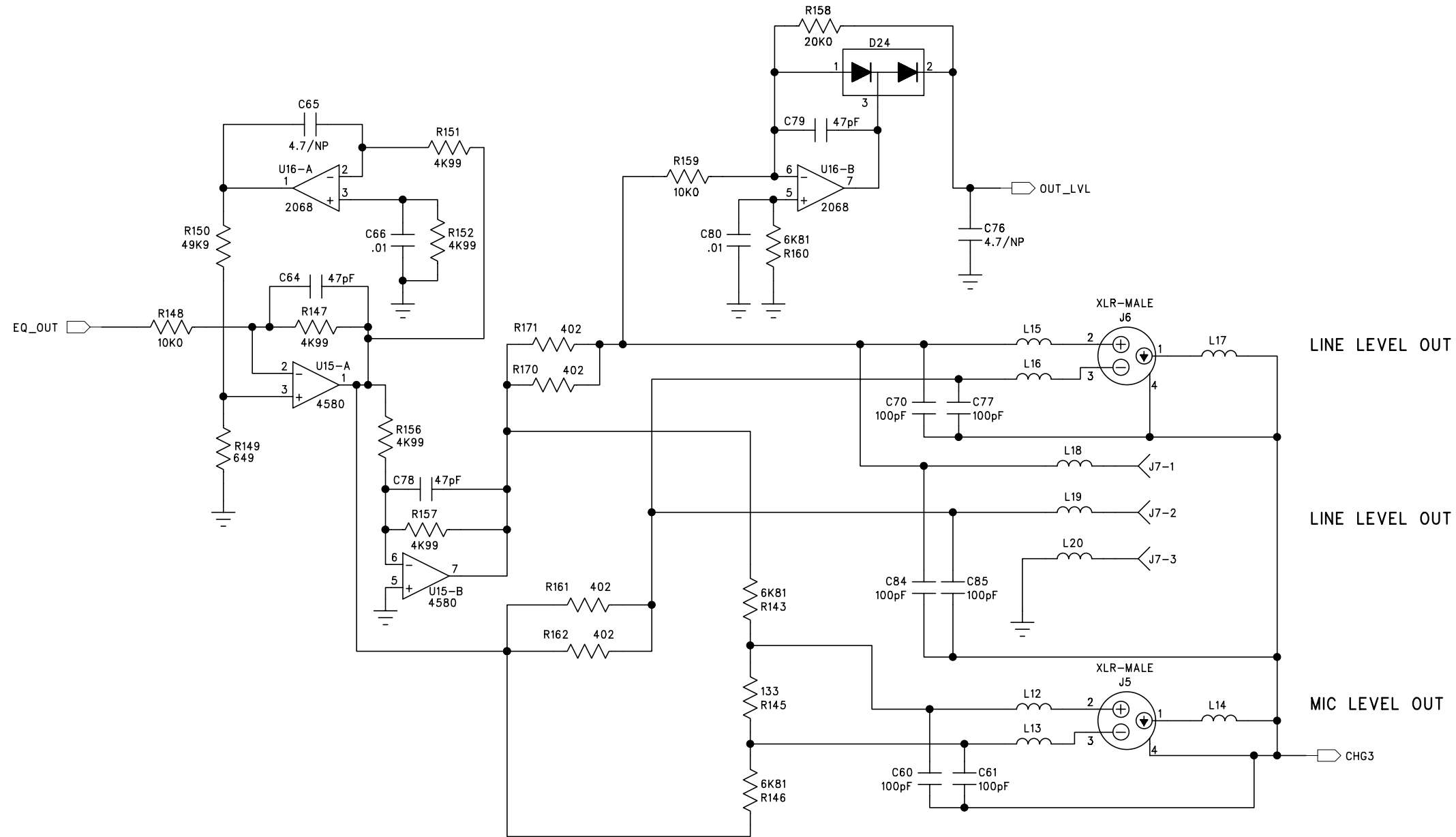
C

B

B

A

A



OUTPUT SECTION

COMPANY: **SYMETRIX INC.**
 14926 35th Avenue West
 Lynnwood, WA 98037-2303 USA

TITLE: _____ REV: **A**

DRAWING NO: _____ SHEET: 6 OF 9

6

5

4

3

2

1

SEE SHEET 1 FOR REVISIONS

D

D

C

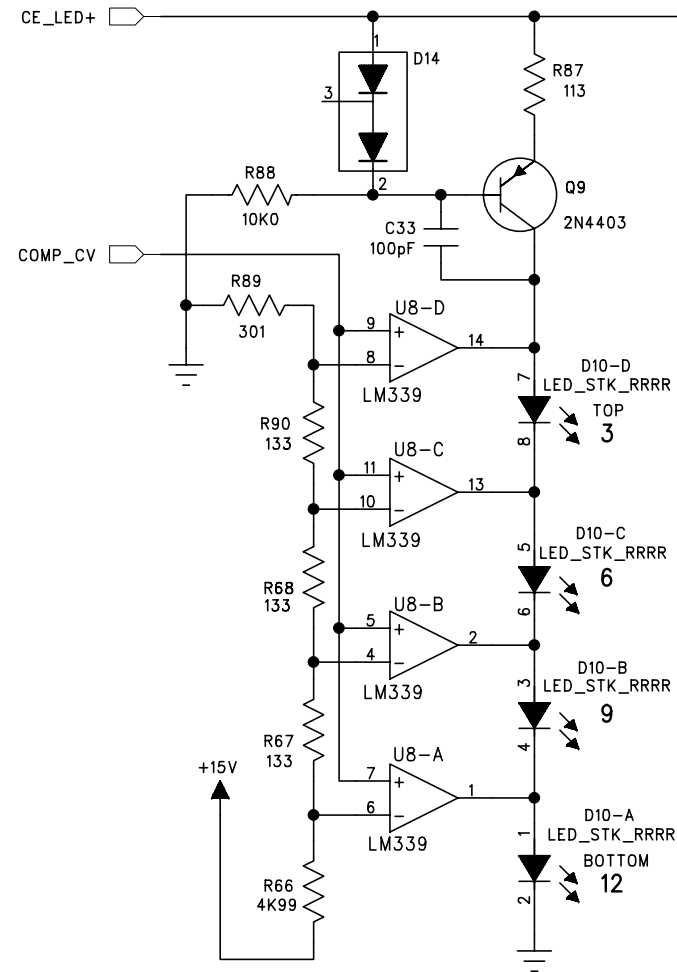
C

B

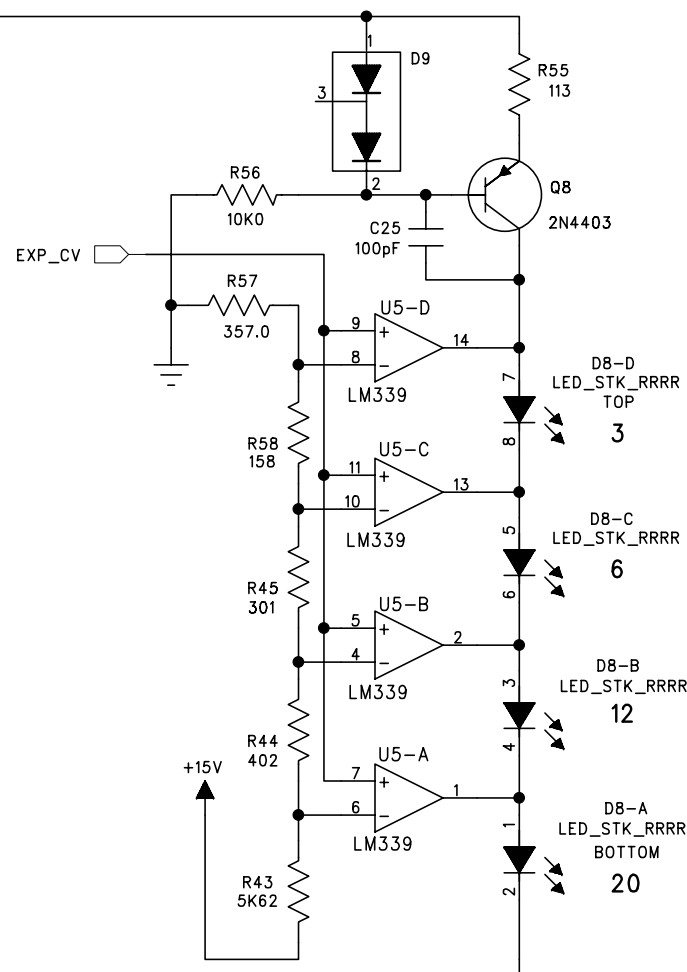
B

A

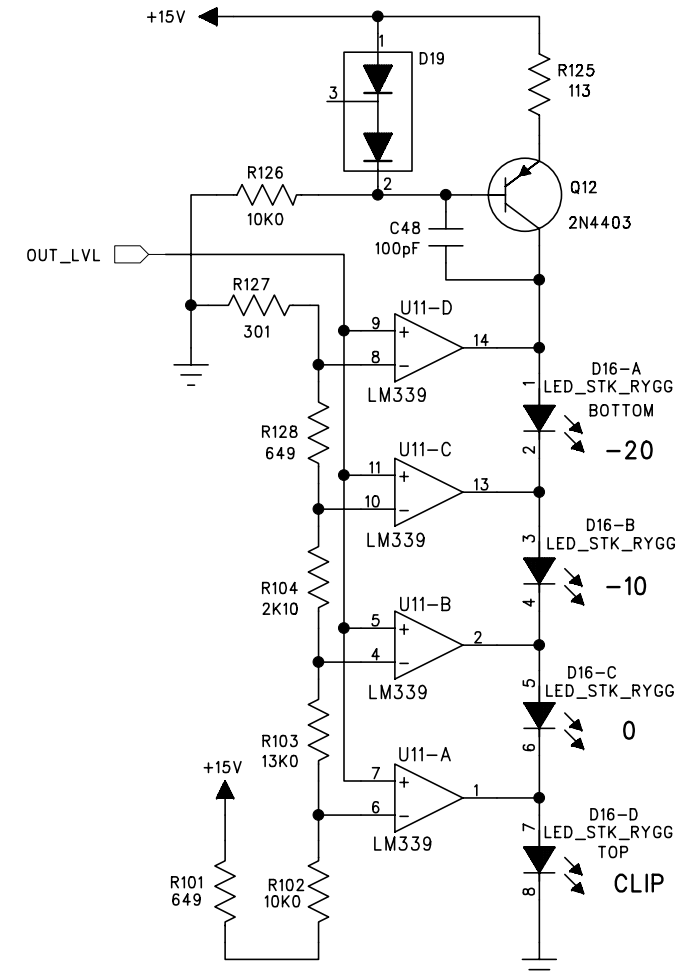
A



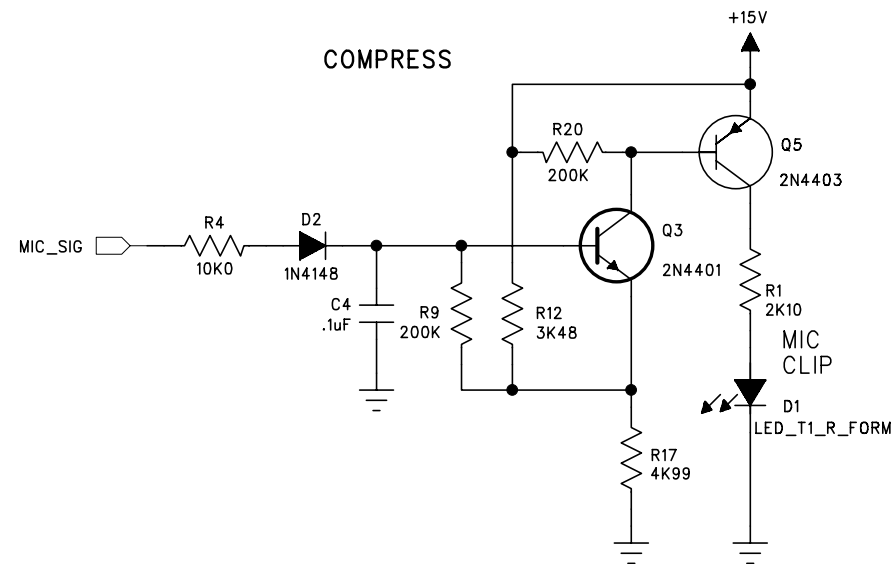
COMPRESS



EXPAND



OUTPUT LEVEL



DISPLAYS

COMPANY: **SYMETRIX INC.**
 14926 35th Avenue West
 Lynnwood, WA 98037-2303 USA

TITLE: _____ REV: **A**

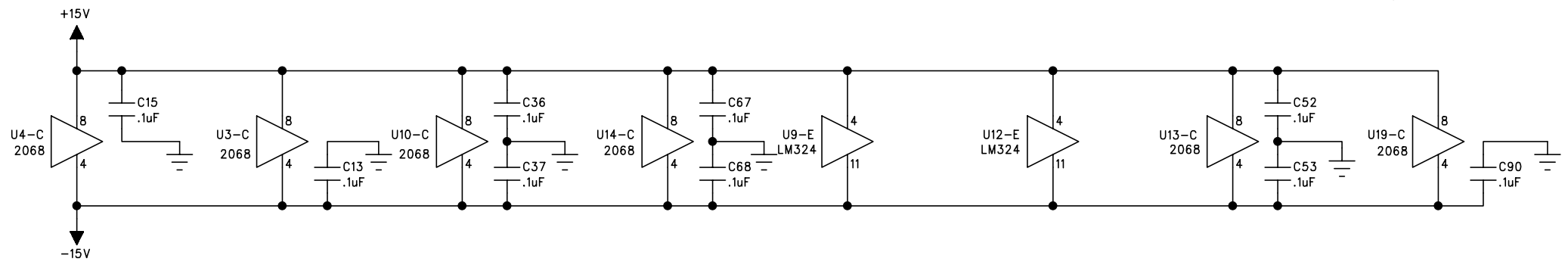
DRAWING NO: _____ SHEET: 7 OF 9

6 5 4 3 2 1

SEE SHEET 1 FOR REVISIONS

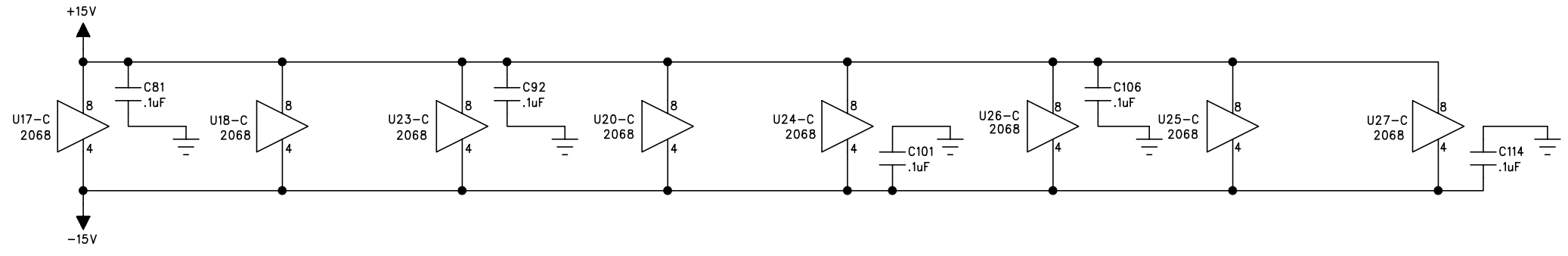
D

D



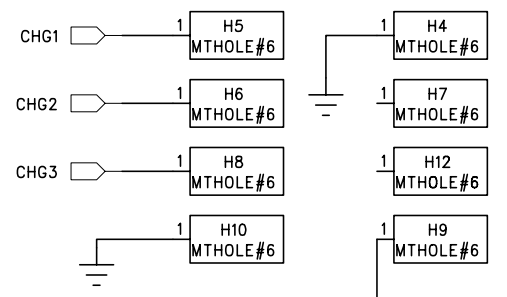
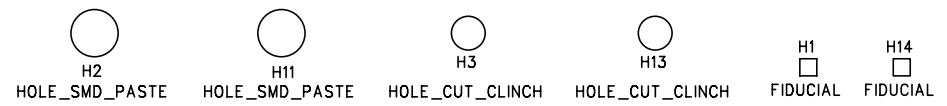
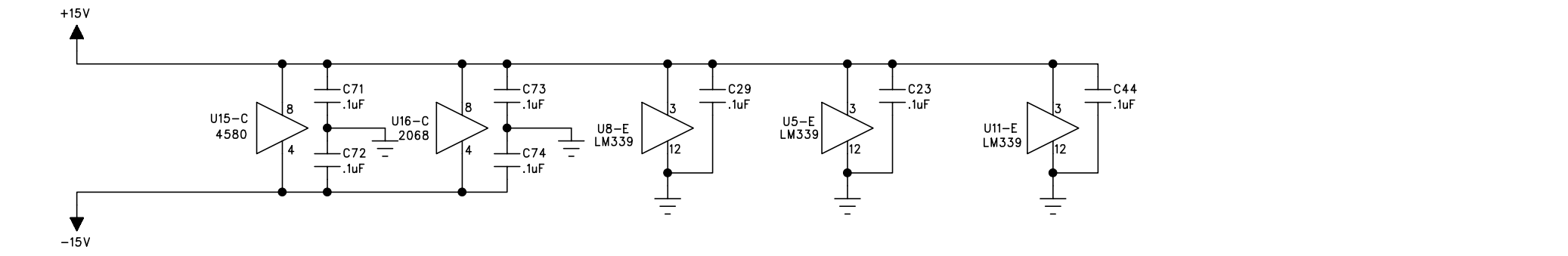
C

C



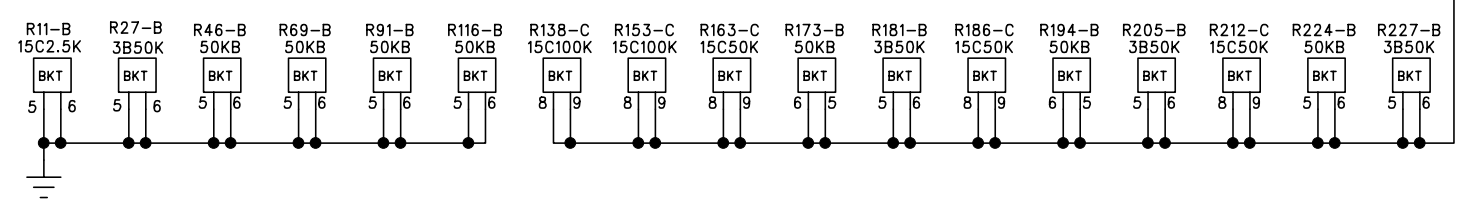
B

B



A

A



POWER DISTRIBUTION

COMPANY: **SYMETRIX INC.**
 14926 35th Avenue West
 Lynnwood, WA 98037-2303 USA

TITLE: _____ REV: **A**

DRAWING NO: _____ SHEET: 8 OF 9

6

5

4

3

2

1

SEE SHEET 1 FOR REVISIONS

D

D

C

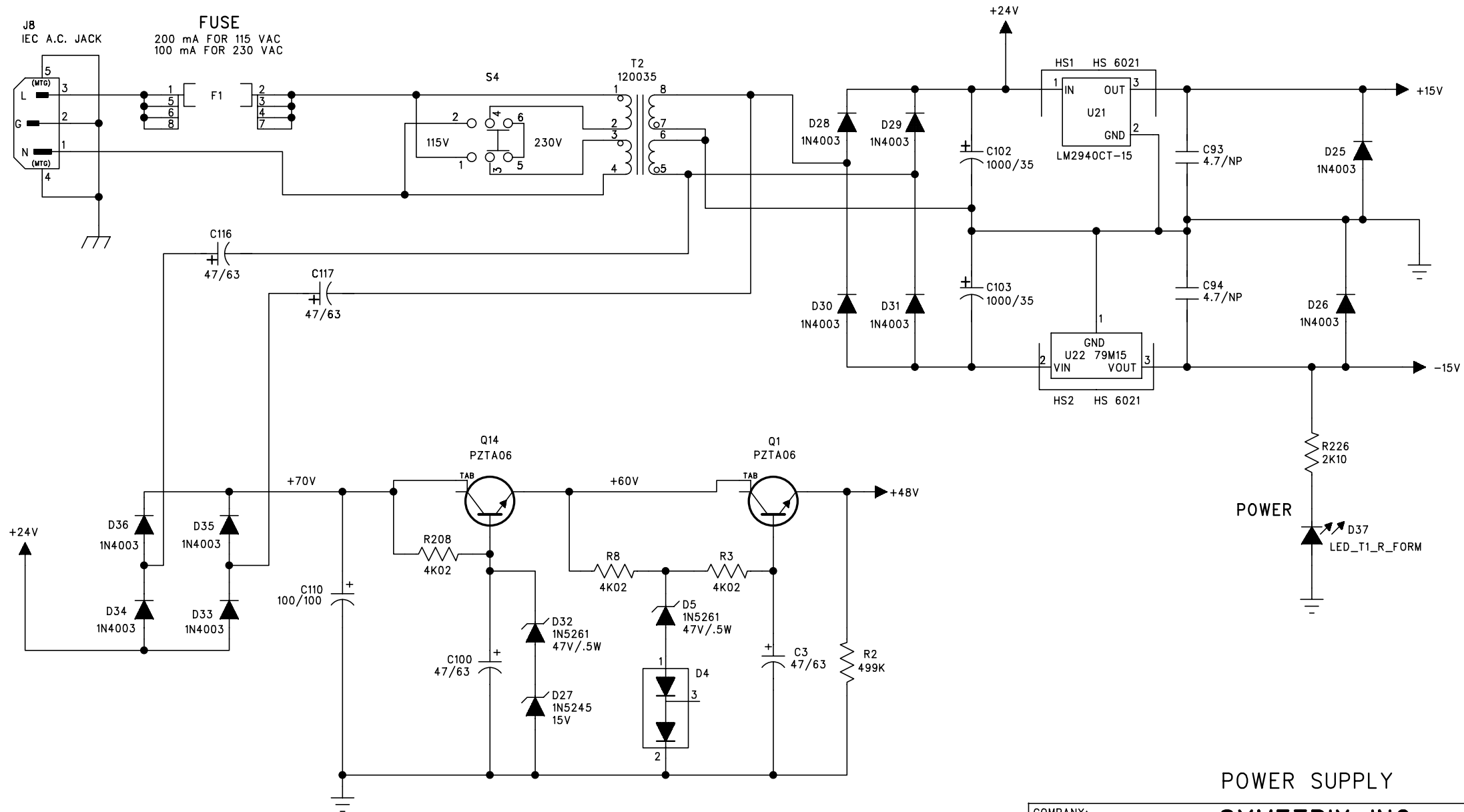
C

B

B

A

A



POWER SUPPLY

COMPANY:		SYMETRIX INC.	
		14926 35th Avenue West Lynnwood, WA 98037-2303 USA	
TITLE:		REV: A	
DRAWING NO:		SHEET: 9 OF 9	